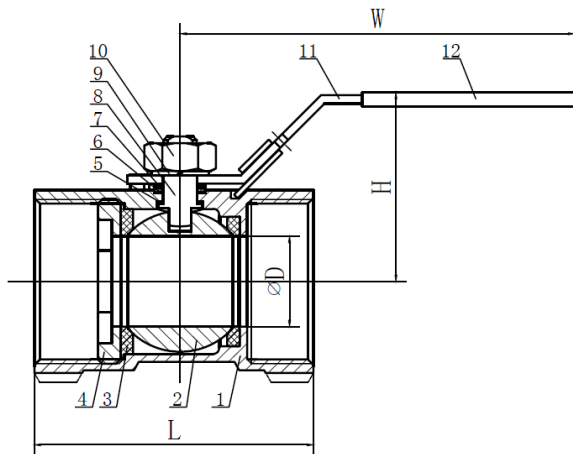


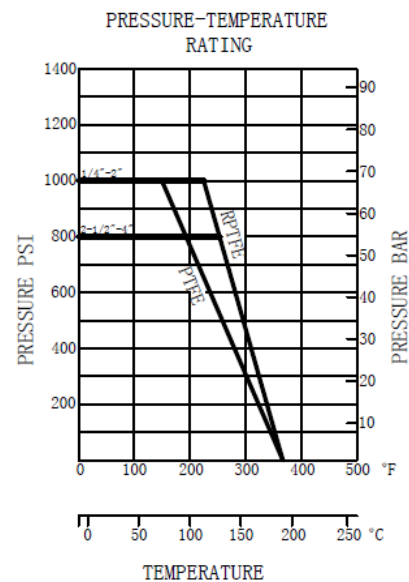
ONE PIECE FULL BORE BALL VALVE



Code	1BV1	1BV2	1BV3	1BV4	1BV5	1BV6	1BV7	1BV8
Size	1/4"	3/8"	1/2"	3/4"	1"	1.1/4"	1.1/2"	2"
ØD	5	7	9.2	12.5	15	20	25	32
L	39	44	56.5	59	69	78	83	99
H	28.5	31	38	40	48	52	63	69
W	67	88	96	96	115	115	142	142

All dimension are in millimeter (mm.)

No.	Part Name	Materials	Q.ty
1	Body	CF8/CF8M	1
2	Ball	304/316	1
3	Ball Seat	PTFE/RPTFE	2
4	Side Plug	CF8/CF8M	1
5	Stem Seal	PTFE	1
6	Stem Packing	PTFE	1
7	Gland Ring	304	1
8	Stem	304/316	1
9	Spring Washer	304	1
10	Stem Nut	304	1
11	Handle	304	1
12	Plastic Cover	PLASTIC	1



Technical Characteristics

<ul style="list-style-type: none"> • 1000PSI/PN63 • Full Port • Investment Casting • Blow-out Proof Stem 	<ul style="list-style-type: none"> • Locking Device Handle • Fire Safe: API607 • Anti-Static Devices • PED97/23/EC (CE 0035) Approved 	<ul style="list-style-type: none"> • Casting Approved AD2000-W0 • Thread: ASME B1.20.1 BS21. DIN999/259, ISO228-1 ,JIS B 0203,ISO7/1 • Inspection Testing: API598, EN12266
--	---	---